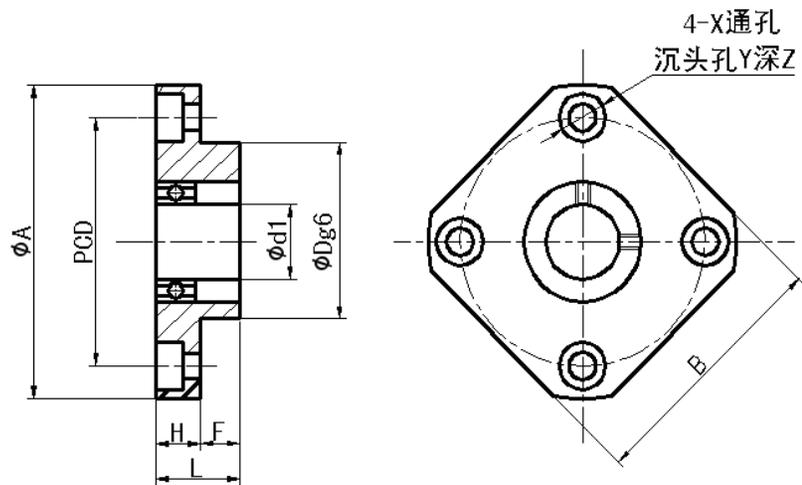


轴端支撑座

FF支撑侧



| 型号 | 尺寸 (mm) | | | | | | | | | | |
|------|---------|----|----|----|-----|-----|-----|----|-----|------|-----|
| | d1 | L | H | F | Dg6 | A | PCD | B | X | Y | Z |
| FF6 | 6 | 10 | 6 | 4 | 22 | 36 | 28 | 28 | 3.4 | 6.5 | 4 |
| FF10 | 8 | 12 | 7 | 5 | 28 | 43 | 35 | 35 | 3.4 | 6.5 | 4 |
| FF12 | 10 | 15 | 7 | 8 | 34 | 52 | 42 | 42 | 4.5 | 8 | 4 |
| FF15 | 15 | 17 | 9 | 8 | 40 | 63 | 50 | 52 | 5.5 | 9.5 | 6 |
| FF17 | 17 | 20 | 11 | 9 | 50 | 77 | 62 | 61 | 6.6 | 11 | 6.5 |
| FF20 | 20 | 20 | 11 | 9 | 57 | 85 | 70 | 68 | 6.6 | 11 | 6.5 |
| FF25 | 25 | 24 | 14 | 10 | 63 | 98 | 80 | 79 | 9 | 14 | 9 |
| FF30 | 30 | 32 | 15 | 17 | 75 | 117 | 95 | 93 | 11 | 17.5 | 11 |