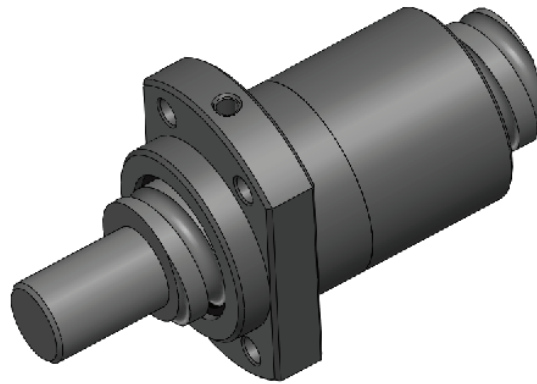


Single nut with flange type E (double flat with four holes)

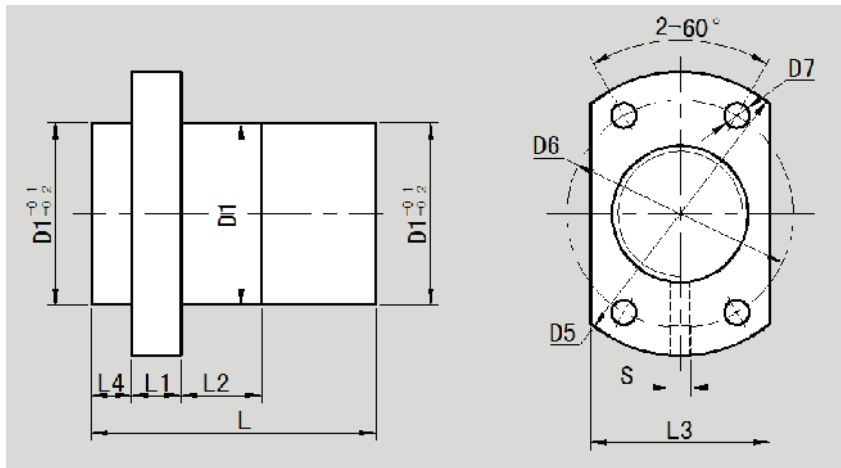


d₀: Nominal diameter

l : Lead

i : Number of track turns

| Size d ₀ x l-i | dyn. load C _a (KN) | stat. load C _{0a} (KN) | D1 g6 | D5 | D6 | D7 |
|------------------------------|----------------------------------|------------------------------------|----------|-----|-----|-----|
| 8X2.5-3 | 2.2 | 2.8 | 16 | 30 | 23 | 3.4 |
| 12X4-3 | 3.5 | 4 | 22 | 42 | 32 | 4.5 |
| 12X5-3 | 3.8 | 5.8 | 22 | 42 | 32 | 4.5 |
| 12X10-2 | 2.5 | 3.6 | 22 | 42 | 32 | 4.5 |
| 16X4-3 | 4.35 | 9.2 | 28 | 52 | 38 | 5.5 |
| 16X5-3 | 7.65 | 13.2 | 28 | 52 | 38 | 5.5 |
| 16X10-3 | 9.6 | 12.3 | 30 | 52 | 38 | 5.5 |
| 16X16-2 | 6.3 | 10.1 | 30 | 52 | 38 | 5.5 |
| 20X4-3 | 6 | 10.1 | 33 | 58 | 46 | 5.5 |
| 20X5-3 | 14.3 | 21.5 | 36 | 58 | 46 | 5.5 |
| 20X10-3 | 10.5 | 17.7 | 36 | 58 | 46 | 5.5 |
| 20X20-2 | 9.1 | 12.1 | 38 | 62 | 50 | 5.5 |
| 25X4-3 | 6.1 | 10.4 | 38 | 64 | 51 | 6.5 |
| 25X5-3 | 15.9 | 27.2 | 40 | 64 | 51 | 6.5 |
| 25X10-4 | 11.2 | 24.2 | 42 | 64 | 51 | 6.5 |
| 25X25-2 | 10.1 | 15.1 | 42 | 74 | 60 | 6.5 |
| 32X5-4 | 21.6 | 40 | 48 | 80 | 65 | 6.5 |
| 32X10-3 | 25.5 | 46.9 | 50 | 82 | 65 | 9 |
| 32X20-2 | 13.5 | 21.8 | 55 | 85 | 68 | 9 |
| 32X32-2 | 13.4 | 22 | 50 | 92 | 74 | 9 |
| 40X5-5 | 29.1 | 64.1 | 56 | 90 | 70 | 9 |
| 40X10-3 | 33.8 | 69.3 | 63 | 98 | 78 | 9 |
| 40X20-3 | 37.9 | 62.8 | 68 | 98 | 78 | 9 |
| 40X40-2 | 25.5 | 40.3 | 68 | 110 | 86 | 11 |
| 50X5-5 | 31.5 | 80.3 | 68 | 110 | 86 | 9 |
| 50X10-4 | 43.4 | 90.7 | 75 | 118 | 95 | 11 |
| 50X12-5 | 53.1 | 110.9 | 75 | 118 | 95 | 11 |
| 50X20-3 | 47.8 | 87.5 | 78 | 128 | 105 | 11 |
| 50X40-2 | 32.1 | 55.8 | 75 | 128 | 105 | 11 |
| 63X10-4 | 74 | 178.6 | 90 | 138 | 112 | 14 |
| 63X20-3 | 53.2 | 112.1 | 93 | 138 | 112 | 14 |
| 80X10-5 | 84.4 | 227.1 | 105 | 150 | 125 | 14 |
| 80X20-4 | 131.4 | 267.1 | 125 | 165 | 145 | 14 |



Unit:mm

| Size d _o x l-i | L | L1 | L2 | L3 | L4 | S | Part number |
|------------------------------|-----|----|----|-----|----|------|-------------|
| 8X2.5-3 | 38 | 8 | 11 | 20 | 5 | M4 | LL0802.5E-0 |
| 12X4-3 | 38 | 8 | 11 | 26 | 5 | M6X1 | LL1204E-0 |
| 12X5-3 | 35 | 10 | 13 | 26 | 5 | M6X1 | LL1205E-0 |
| 12X10-2 | 30 | 10 | 13 | 26 | 5 | M6X1 | LL1210E-0 |
| 16X4-3 | 44 | 10 | 13 | 32 | 6 | M6X1 | LL1604E-0 |
| 16X5-3 | 48 | 10 | 13 | 32 | 6 | M6X1 | LL1605E-0 |
| 16X10-3 | 51 | 10 | 13 | 34 | 6 | M6X1 | LL1610E-0 |
| 16X16-2 | 38 | 10 | 13 | 34 | 6 | M6X1 | LL1616E-0 |
| 20X4-3 | 44 | 10 | 13 | 37 | 6 | M6X1 | LL2004E-0 |
| 20X5-3 | 48 | 10 | 13 | 40 | 6 | M6X1 | LL2005E-0 |
| 20X10-3 | 60 | 10 | 13 | 40 | 6 | M6X1 | LL2010E-0 |
| 20X20-2 | 46 | 12 | 15 | 42 | 6 | M6X1 | LL2020E-0 |
| 25X4-3 | 44 | 12 | 15 | 42 | 6 | M6X1 | LL2504E-0 |
| 25X5-3 | 56 | 12 | 15 | 44 | 6 | M6X1 | LL2505E-0 |
| 25X10-4 | 82 | 12 | 15 | 46 | 6 | M6X1 | LL2510E-0 |
| 25X25-2 | 53 | 12 | 15 | 46 | 6 | M6X1 | LL2525E-0 |
| 32X5-4 | 63 | 12 | 15 | 52 | 8 | M6X1 | LL3205E-0 |
| 32X10-3 | 86 | 14 | 17 | 54 | 8 | M6X1 | LL3210E-0 |
| 32X20-2 | 98 | 14 | 17 | 59 | 8 | M6X1 | LL3220E-0 |
| 32X32-2 | 66 | 14 | 17 | 54 | 8 | M6X1 | LL3232E-0 |
| 40X5-5 | 63 | 14 | 17 | 60 | 8 | M8X1 | LL4005E-0 |
| 40X10-3 | 90 | 14 | 17 | 67 | 8 | M8X1 | LL4010E-0 |
| 40X20-3 | 77 | 14 | 17 | 72 | 8 | M8X1 | LL4020E-0 |
| 40X40-2 | 77 | 18 | 21 | 72 | 8 | M8X1 | LL4040E-0 |
| 50X5-5 | 62 | 18 | 21 | 72 | 10 | M8X1 | LL5005E-0 |
| 50X10-4 | 101 | 18 | 21 | 79 | 10 | M8X1 | LL5010E-0 |
| 50X12-5 | 100 | 18 | 21 | 79 | 10 | M8X1 | LL5012E-0 |
| 50X20-3 | 101 | 22 | 25 | 82 | 10 | M8X1 | LL5020E-0 |
| 50X40-2 | 81 | 22 | 25 | 79 | 10 | M8X1 | LL5040E-0 |
| 63X10-4 | 114 | 22 | 25 | 94 | 10 | M8X1 | LL6310E-0 |
| 63X20-3 | 106 | 22 | 25 | 97 | 10 | M8X1 | LL6320E-0 |
| 80X10-5 | 123 | 22 | 25 | 109 | 12 | M8X1 | LL8010E-0 |
| 80X20-4 | 172 | 22 | 25 | 129 | 12 | M8X1 | LL8020E-0 |