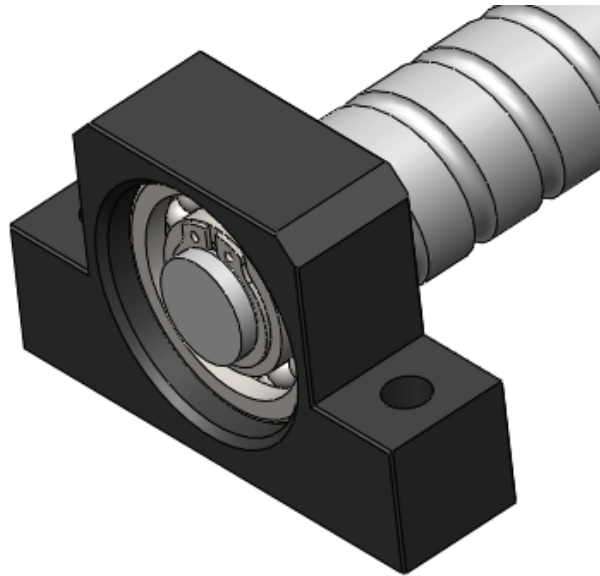


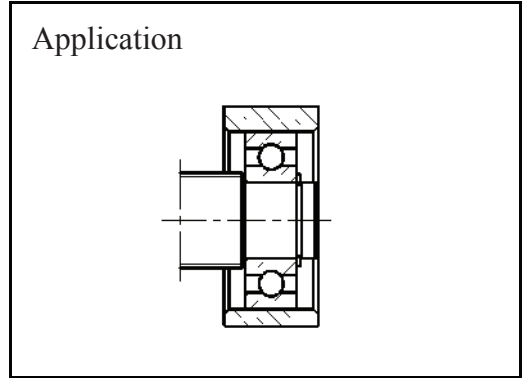
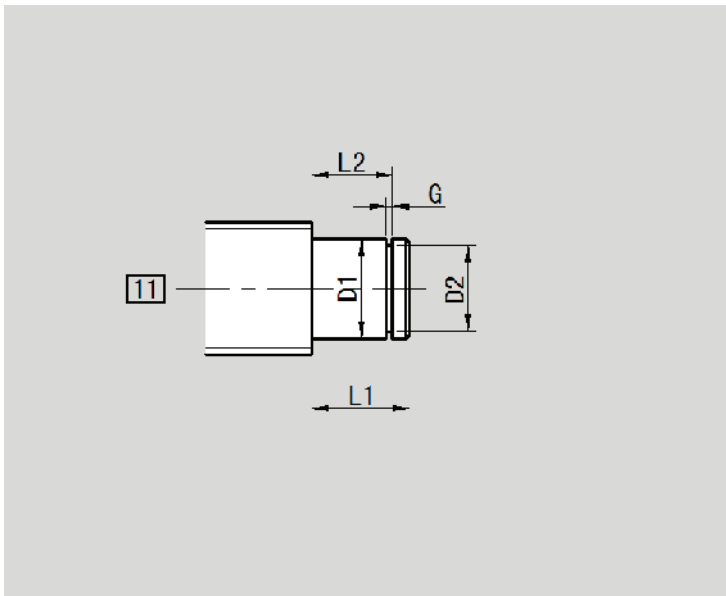
Screw Ends Form

--Form 11

--Supported end



Form	Ball screw size		L1	D1	L2 +0.2	D2 h11	G H13
	d ₀	l					
11	8	2.5	9	6 ^{-0.005} -0.012	6.8	5.7	0.8
	8	2.5	9	6 ^{-0.005} -0.012	6.8	5.7	0.8
	12	4/5/10	10	8 ^{-0.005} -0.012	7.9	7.6	0.9
	16	4/5/10/16	11	10 ^{-0.005} -0.012	9.15	9.6	1.15
	20	4/5/10/20	13	15 ^{-0.005} -0.014	10.15	14.3	1.15
	20	4/5/10/20	16	17 ^{-0.005} -0.014	13.15	16.2	1.15
	25	4/5/10/25	19	20 ^{-0.005} -0.014	15.35	19	1.35
	32	5/10/20/32	20	25 ^{-0.005} -0.014	16.35	23.9	1.35
	40	5/10/20/40	21	30 ^{-0.005} -0.015	17.75	28.6	1.75
	40	5/10/20/40	22	35 ^{-0.005} -0.015	18.75	33	1.75
	50	5/10/12/20/40	23	40 ^{-0.005} -0.015	19.75	39	1.95



Unit : mm

Ball screw size		End support block			
d ₀	l	FF	EF	BF	AF
8	2.5	FF06	EF06	-	-
8	2.5	-	EF08	-	-
12	4/5/10	FF10	EF10	BF10	AF10
16	4/5/10/16	FF12	EF12	BF12	AF12
20	4/5/10/20	FF15	EF15	BF15	AF15
20	4/5/10/20	FF17	-	BF17	-
25	4/5/10/25	FF20	EF20	-	AF20
32	5/10/20/32	FF25	-	BF25	-
40	5/10/20/40	FF30	-	BF30	-
40	5/10/20/40	-	-	BF35	-
50	5/10/12/20/40	-	-	BF40	-