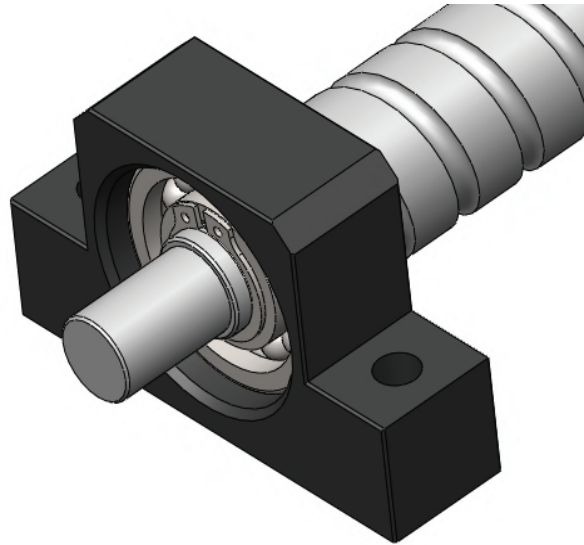


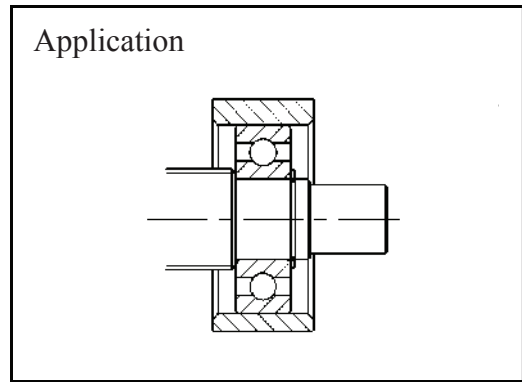
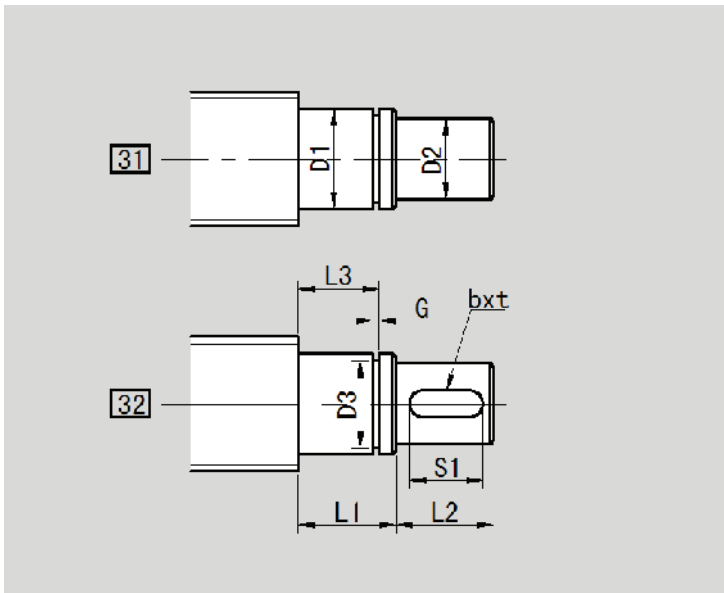
Screw Ends Form

--Form 31

--Supported end



Form	Ball screw size		L1	D1	L2	D2 h7	L3 +0.2	D3 h11	G H13
	d ₀	l							
31	8	2.5	9	6 ^{-0.005} _{-0.012}	8	4	6.8	5.7	0.8
	8	2.5	9	6 ^{-0.005} _{-0.012}	8	4	6.8	5.7	0.8
	12	4/5/10	10	8 ^{-0.005} _{-0.012}	9	6	7.9	7.6	0.9
	16	4/5/10/16	11	10 ^{-0.005} _{-0.012}	15	8	9.15	9.6	1.15
	20	4/5/10/20	13	15 ^{-0.005} _{-0.014}	15	10	10.15	14.3	1.15
	20	4/5/10/20	16	17 ^{-0.005} _{-0.014}	20	12	13.15	16.2	1.15
	25	4/5/10/25	19	20 ^{-0.005} _{-0.014}	23	15	15.35	19	1.35
	32	5/10/20/32	20	25 ^{-0.005} _{-0.014}	25	17	16.35	23.9	1.35
	40	5/10/20/40	21	30 ^{-0.005} _{-0.015}	30	20	17.75	28.6	1.75
	40	5/10/20/40	22	35 ^{-0.005} _{-0.015}	38	25	18.75	33	1.75
	50	5/10/12/20/40	23	40 ^{-0.005} _{-0.015}	50	35	19.75	39	1.95
32	20	4/5/10/20	13	15 ^{-0.005} _{-0.014}	15	10	10.15	14.3	1.15
	20	4/5/10/20	16	17 ^{-0.005} _{-0.014}	20	12	13.15	16.2	1.15
	25	4/5/10/25	19	20 ^{-0.005} _{-0.014}	23	15	15.35	19	1.35
	32	5/10/20/32	20	25 ^{-0.005} _{-0.014}	25	17	16.35	23.9	1.35
	40	5/10/20/40	21	30 ^{-0.005} _{-0.015}	30	20	17.75	28.6	1.75
	40	5/10/20/40	22	35 ^{-0.005} _{-0.015}	38	25	18.75	33	1.75
	50	5/10/12/20/40	23	40 ^{-0.005} _{-0.015}	50	35	19.75	39	1.95



Unit : mm

Ball screw size d ₀ l	Keyway			End support block			
	S1	b P9	t +0.1	FF	EF	BF	AF
8 2.5	-	-	-	FF06	EF06	-	-
8 2.5	-	-	-	-	EF08	-	-
12 4/5/10	-	-	-	FF10	EF10	BF10	AF10
16 4/5/10/16	-	-	-	FF12	EF12	BF12	AF12
20 4/5/10/20	-	-	-	FF15	EF15	BF15	AF15
20 4/5/10/20	-	-	-	FF17	-	BF17	-
25 4/5/10/25	-	-	-	FF20	EF20	-	AF20
32 5/10/20/32	-	-	-	FF25	-	BF25	-
40 5/10/20/40	-	-	-	FF30	-	BF30	-
40 5/10/20/40	-	-	-	-	-	BF35	-
50 5/10/12/20/40	-	-	-	-	-	BF40	-
20 4/5/10/20	12	3	1.8	FF15	EF15	BF15	AF15
20 4/5/10/20	17	4	2.5	FF17	-	BF17	-
25 4/5/10/25	20	5	3	FF20	EF20	-	AF20
32 5/10/20/32	21	5	3	FF25	-	BF25	-
40 5/10/20/40	25	5	3	FF30	-	BF30	-
40 5/10/20/40	30	8	4	-	-	BF35	-
50 5/10/12/20/40	40	8	4	-	-	BF40	-