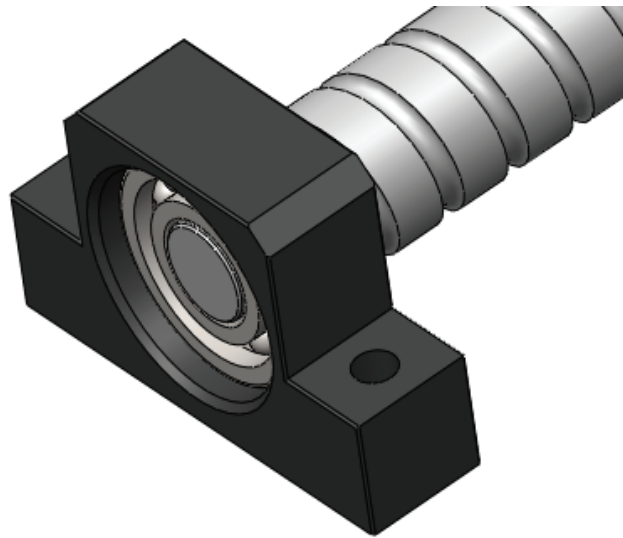
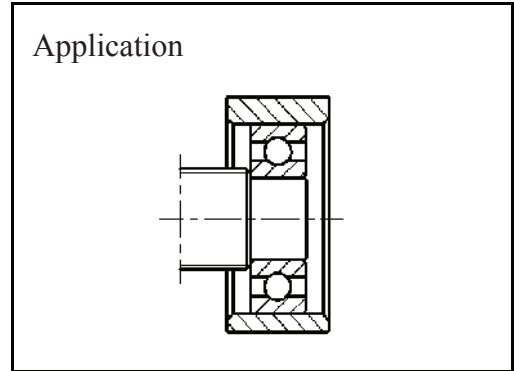
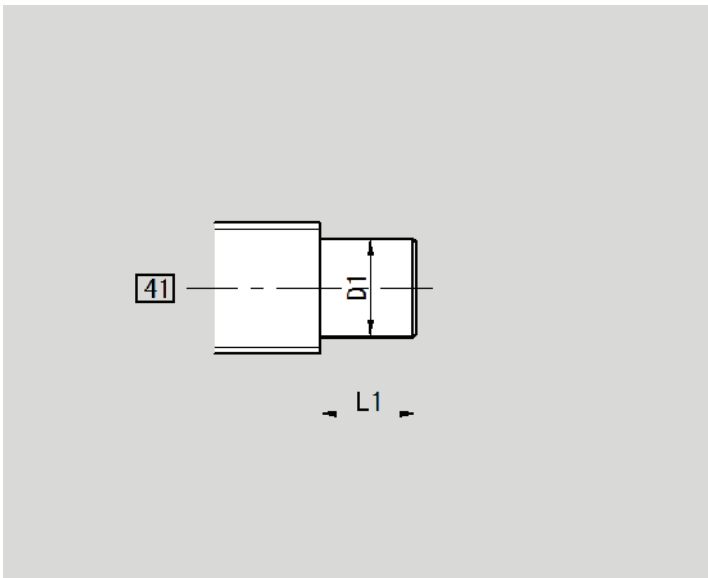


Screw Ends Form
 --Form 41
 --Supported end



Form	Ball screw size		L1	D1
	d ₀	l		
41	8	2.5	6	6 ^{-0.005} -0.012
	8	2.5	6	6 ^{-0.005} -0.012
	12	4/5/10	7	8 ^{-0.005} -0.012
	16	4/5/10/16	8	10 ^{-0.005} -0.012
	20	4/5/10/20	9	15 ^{-0.005} -0.014
	20	4/5/10/20	12	17 ^{-0.005} -0.014
	25	4/5/10/25	14	20 ^{-0.005} -0.014
	32	5/10/20/32	15	25 ^{-0.005} -0.014
	40	5/10/20/40	16	30 ^{-0.005} -0.015
	40	5/10/20/40	17	35 ^{-0.005} -0.015
	50	5/10/12/20/40	18	40 ^{-0.005} -0.015



Unit : mm

Ball screw size		End support block			
d ₀	l	FF	EF	BF	AF
8	2.5	FF06	EF06	-	-
8	2.5	-	EF08	-	-
12	4/5/10	FF10	EF10	BF10	AF10
16	4/5/10/16	FF12	EF12	BF12	AF12
20	4/5/10/20	FF15	EF15	BF15	AF15
20	4/5/10/20	FF17	-	BF17	-
25	4/5/10/25	FF20	EF20	-	AF20
32	5/10/20/32	FF25	-	BF25	-
40	5/10/20/40	FF30	-	BF30	-
40	5/10/20/40	-	-	BF35	-
50	5/10/12/20/40	-	-	BF40	-