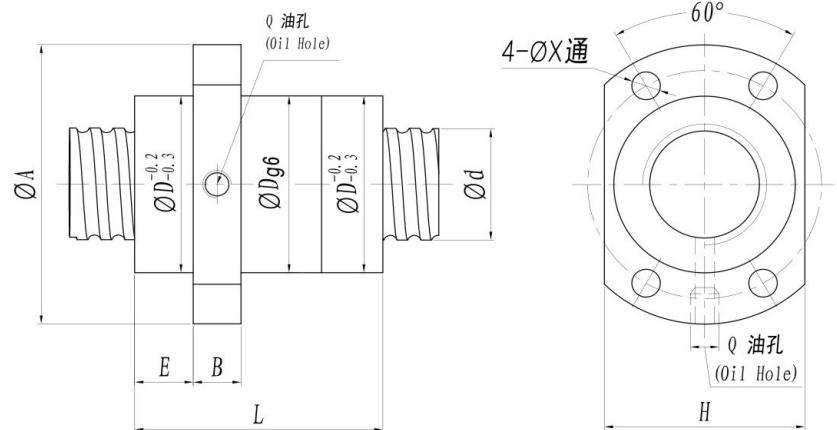
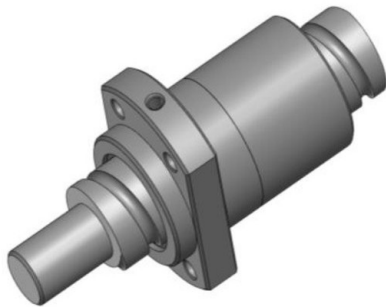


型号 (TYPE) : WFE

转造级库存螺杆系列 (Stock Rolld Ball Screw Series)



单位 (Unit) : mm

I: 导程 Lead  $D_a$ : 珠径 Ball Dia.  $n$ : 珠圈数 Number of Circuits

Ca: 动额定负荷 Basic Dynamic Rating Load (Kgf)

Coa: 静额定负荷 Basic Static Rating Load (Kgf)

型号	滚珠丝杆, 螺帽之基准数据 Dimensions														
Model No.	d	l	$D_a$	D	A	E	B	L	X	W	H	Q	n	Ca	Coa
★ WFE1210-2	11.4	10	2	22	44	5	10	30	4.5	32	26	M6X1	2	250	360
★ WFE1616-2	15	16	3	30	52	6	10	38	5.5	38	34	M6X1	2	630	1010
WFE2020-2	19.4	20	3.5	36	60	6	10	46	5.5	48	40	M6X1	2	910	1210
WFE2020-4	19.4	20	3.5	36	60	7	10	28.5	5.5	48	40	M6X1	4	1547	2178
WFE2525-2	24.1	25	3.5	42	74	6	10	53	6.5	60	46	M6X1	2	1010	1510
WFE2525-4	24.1	25	3.5	40	72	7.5	10	33	6.5	58	45	M6X1	4	1717	2718
WFE3232-2	31	32	3.969	50	92	8	14	66	9	74	54	M6X1	2	1340	2200
WFE3232-4		32	3.969	50	92	10	12	40	9	74	54	M6X1	4	2278	3960
WFE4040-2	40	40	6.35	68	110	8	15	75	11	86	72	M8X1	2	2550	4030
WFE4040-4	38	40	6	63	105	12	13	50	11	81	68	M8X1	4	3570	6045
WFE5040-2	48	40	6.5	75	128	10	18	81	11	105	79	M8X1	2	3210	5580
WFE5050-4	48	50	6.35	75	128	26	18	87	11	105	79	M8X1	4	4744	6320

备注: 有标注★记号者可制作左旋螺纹

Note: with sign ★ can produce left helix