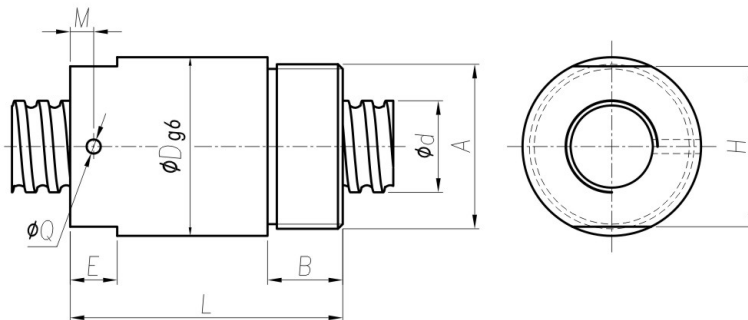


型号 (TYPE) : WCG

转造级库存螺杆系列 (Stock Rolld Ball Screw Series)



单位 (Unit) : mm

I: 导程 Lead Da: 珠径 Ball Dia. n: 珠圈数 Number of Circuits

Ca: 动额定负荷 Basic Dunamic Rating Load (Kgf)

Coa: 静额定负荷 Basic Static Rating Load (Kgf)

型号 Model No.	滚珠丝杆, 螺母基准数据 Dimensions													
	d	l	Da	D	A	B	L	E	H	M	Q	n	Ca	Coa
WCG1202-3	11.5	2	1.588	25	M20X1	10	35	6	23	5	3	3	330	380
WCG1204-3	11.4	4	2	25	M20X1	10	35	6	23	5	3	3	350	400
WCG1205-3		5	2	28	M24X1	12	40	6	25	5	3	3	380	580
★ WCG1210-2		10	2	28	M24X1	12	32	6	25	5	3	2	250	360
WCG1604-3	15.3	4	2.381	35	M30X1.5	15	45	6	32	5	3	3	435	920
★ WCG1605-3	15	5	3	35	M30X1.5	15	47	6	32	5	3	3	765	1320
WCG1610-3		10	3	40	M35X1.5	15	50	6	36	5	3	3	960	1230
★ WCG1616-2		16	3	40	M35X1.5	15	37	6	36	5	3	2	630	1010
WCG2004-3	19.5	4	2.381	40	M35X1.5	15	43	8	36	6	4	3	600	1010
WCG2005-3	19	5	3	40	M35X1.5	15	47	8	36	6	4	3	1430	2150
WCG2010-3	19.35	10	3.175	45	M40X1.5	17	62	8	40	6	4	3	1050	1770
WCG2020-2	19.4	20	3.5	45	M40X1.5	17	47	8	40	6	4	2	910	1210
WCG2504-3	24.3	4	2.381	47	M42X1.5	19	45	8	42	6	4	3	610	1040
★ WCG2505-3	24	5	3	50	M45X1.5	20	58	8	45	6	4	3	1590	2720
WCG2510-3	24.5	10	3.969	50	M45X1.5	20	85	8	45	6	4	3	1120	2420
WCG2525-2	24.1	25	3.5	50	M45X1.5	20	50	8	45	6	4	2	1010	1510
★ WCG3205-4	31.6	5	3.5	55	M50X1.5	23	63	10	51	6	4	4	2160	4000
WCG3210-3	31.6	10	5.556	60	M55X1.5	25	88	10	55	6	4	3	2550	4690
WCG3220-4	31	20	3.969	62	M56X1.5	25	95	10	56	6	4	4	2295	3706
WCG3232-2	31	32	3.969	62	M56X1.5	25	60	10	56	6	4	2	1340	2200
WCG4005-5	39.58	5	3.5	55	M60X2	27	55	10	59	7	5	5	2910	6410
★ WCG4010-3	39.51	10	7.144	68	M65X2	30	95	10	63	7	5	3	3910	9520
WCG4020-3	38	20	6	75	M70X2	30	95	10	69	7	5	3	3790	6280
WCG4040-2	40	40	6.35	75	M70X2	30	80	10	69	7	5	2	2550	4030
WCG5005-5	49	5	3.5	75	M70X2	30	65	13	69	7	5	5	3150	8030
WCG5010-4	49.31	10	7.144	78	M72X2	30	103	13	70	7	5	4	4340	9070
WCG5020-3	48.15	20	6.35	85	M80X2	30	105	13	80	7	5	3	4780	8750
WCG5040-2	48	40	6.5	85	M80X2	30	80	13	80	7	5	2	3210	5580
WCG6310-4	62.55	10	7.144	90	M85X2	30	118	13	84	8	6	4	7400	17860
WCG6320-3	62.55	20	7.144	100	M95X2	35	105	13	95	8	6	3	5320	1121
WCG8010-4	80	10	7.144	120	M110X2	35	120	15	112	8	6	4	8440	2271
WCG8020-4	80	20	12.7	135	M130X2	40	175	15	126	8	6	4	15226	35749

备注: 有标注★记号者可制作左旋螺纹

Note: with sign ★ can produce left helix