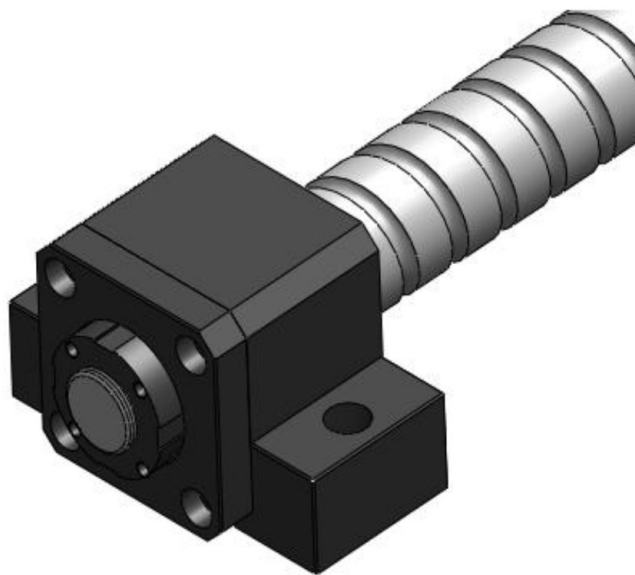


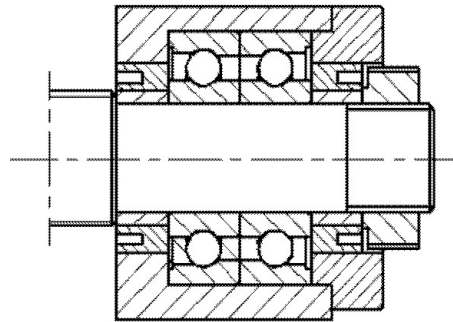
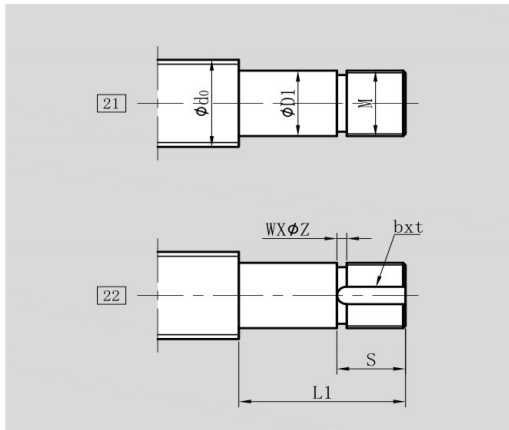
丝杆轴端形状 Screw end forms

类型21、22 Form21、22

端部支撑  
Supported end

类型 Form	滚珠丝杠规格		L1	D1	S	M	螺纹退刀槽		
	Ball screw size						Thread undercut ring		
	d <sub>0</sub>	P					w	z	
21	8	2.5	28	6	-0.005 -0.012	8	M6X0.75	1.5	5
	12	4/5/10	32	8	-0.005 -0.012	10	M8X1	2	7
	12	4/5/10	36	10	-0.005 -0.012	11	M10X1	2	8
	16	4/5/10/16	36	12	-0.005 -0.012	11	M12X1	2	10
	20	4/5/10/20	47	15	-0.005 -0.014	13	M15X1	2	13
	20	4/5/10/20	58	17	-0.005 -0.014	15	M17X1	2	15
	25	4/5/10/25	62	20	-0.005 -0.014	17	M20X1	2	18
	32	5/10/20/32	76	25	-0.005 -0.014	20	M25X1.5	3	23
	40	5/10/20/40	72	30	-0.005 -0.015	25	M30X1.5	3	28
	50	5/10/12/20/40	93	40	-0.005 -0.015	35	M40X1.5	3	38
22	16	4/5/10/16	36	12	-0.005 -0.012	11	M12X1	2	10
	20	4/5/10/20	47	15	-0.005 -0.014	13	M15X1	2	13
	20	4/5/10/20	58	17	-0.005 -0.014	15	M17X1	2	15
	25	4/5/10/25	62	20	-0.005 -0.014	17	M20X1	2	18
	32	5/10/20/32	76	25	-0.005 -0.014	20	M25X1.5	3	23
	40	5/10/20/40	72	30	-0.005 -0.015	25	M30X1.5	3	28
	50	5/10/12/20/40	93	40	-0.005 -0.015	35	M40X1.5	3	38

支撑座剖视图Application



单位Unit: mm

滚珠丝杠规格		键槽			支撑座型号			
Ball screw size		Keyway			End support block			
$d_0$	P	S	b	t	FK型	EK型	AK型	BK型
8	2.5	-	-	-	FK06	EK06	-	-
12	4/5/10	-	-	-	FK08	EK08	-	-
12	4/5/10	-	-	-	FK10	EK10	AK10	-
16	4/5/10/16	-	-	-	FK12	EK12	AK12	-
20	4/5/10/20	-	-	-	FK15	EK15	AK15	-
20	4/5/10/20	-	-	-	FK17	-	-	-
25	4/5/10/25	-	-	-	FK20	EK20	AK20	-
32	5/10/20/32	-	-	-	FK25	-	-	-
40	5/10/20/40	-	-	-	FK30	-	-	BK30
50	5/10/12/20/40	-	-	-	-	-	-	BK40
16	4/5/10/16	11	4	2.5	FK12	EK12	AK12	-
20	4/5/10/20	13	5	3	FK15	EK15	AK15	-
20	4/5/10/20	15	5	3	FK17	-	-	-
25	4/5/10/25	17	6	3.5	FK20	EK20	AK20	-
32	5/10/20/32	20	6	3.5	FK25	-	-	-
40	5/10/20/40	25	8	4	FK30	-	-	BK30
50	5/10/12/20/40	35	8	4	-	-	-	BK40