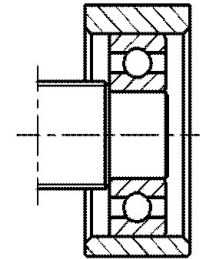
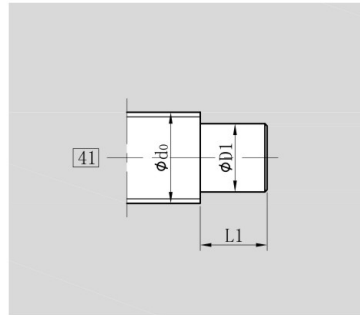
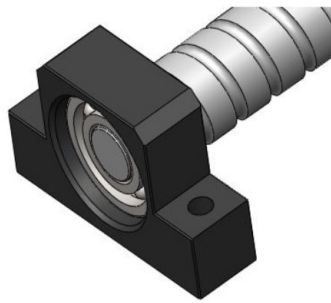


丝杆轴端形状Screw end forms

类型41 Form41

支撑座剖视图Application

端部支撑
Supported end

单位Unit: mm

| 类型 Form | 滚珠丝杠规格 | | L1 | D1 | | 支撑座型号 | | | |
|------------|-----------------|-----------|----|--------|--------|-------------------|------|------|------|
| | Ball screw size | | | | | End support block | | | |
| | d_0 | P | | | | FF型 | EF型 | BF型 | AF型 |
| 41 | 8 | 2.5 | 6 | 6 | -0.005 | FF06 | EF06 | - | - |
| | | | | | -0.012 | | | | |
| | 8 | 2.5 | 6 | 6 | -0.005 | - | EF08 | - | - |
| | | | | | -0.012 | | | | |
| | 12 | 4/5/10 | 7 | 8 | -0.005 | FF10 | EF10 | BF10 | AF10 |
| | | | | | -0.012 | | | | |
| | 16 | 4/5/10/16 | 8 | 10 | -0.005 | FF12 | EF12 | BF12 | AF12 |
| | | | | | -0.012 | | | | |
| | 20 | 4/5/10/20 | 9 | 15 | -0.005 | FF15 | EF15 | BF15 | AF15 |
| | | | | | -0.014 | | | | |
| | 20 | 4/5/10/20 | 12 | 17 | -0.005 | FF17 | - | BF17 | - |
| | | | | | -0.014 | | | | |
| 25 | 4/5/10/25 | 14 | 20 | -0.005 | FF20 | EF20 | - | AF20 | |
| | | | | -0.014 | | | | | |
| 32 | 5/10/20/32 | 15 | 25 | -0.005 | FF25 | - | BF25 | - | |
| | | | | -0.014 | | | | | |
| 40 | 5/10/20/40 | 16 | 30 | -0.005 | FF30 | - | BF30 | - | |
| | | | | -0.015 | | | | | |
| 40 | 5/10/20/40 | 17 | 35 | -0.005 | - | - | BF35 | - | |
| | | | | -0.015 | | | | | |
| 50 | 5/10/12/20/40 | 18 | 40 | -0.005 | - | - | BF40 | - | |
| | | | | -0.015 | | | | | |