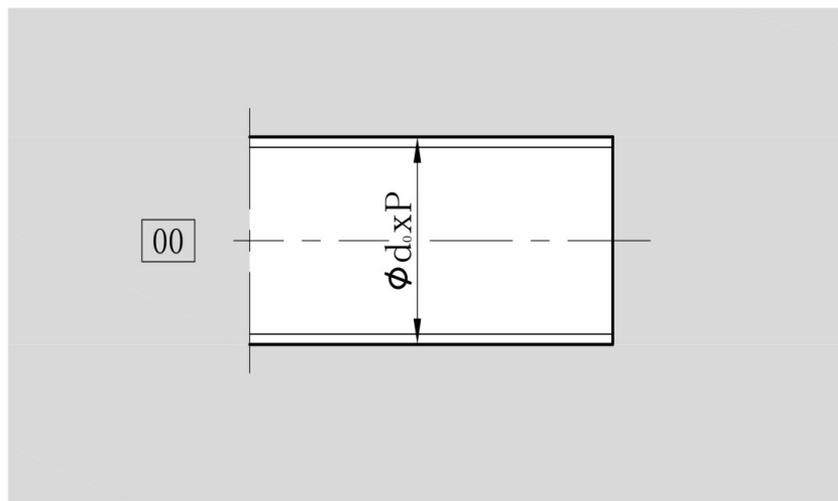


丝杆轴端形状Screw end forms

## 类型00，端面切断，不加工丝杆轴端

Form 00, Machining of End Face, End not



类型 Form	滚珠丝杆规格	
	Ball screw size	
	$d_0$	$p$
00	8	2.5
	12	4/5/10
	16	4/5/10/16
	20	4/5/10/20
	25	4/5/10/25
	32	5/10/20/32
	40	5/10/20/40
	50	5/10/20/40
	63	10/20
	80	10/20