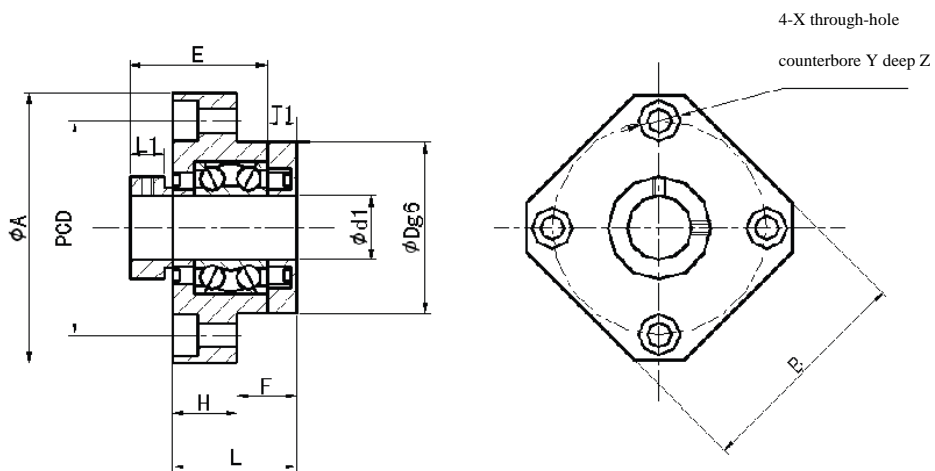


End support block

FK fixed end



Type	Size (mm)													
	d1	L	H	F	E	Dg6	A	PCD	B	L1	T1	X	Y	Z
FK4	4	15	6	9	17.5	18	32	24	25	5	3	3.4	6.5	4
FK5	5	16.5	6	10.5	18.5	20	34	26	26	5	3.5	3.4	6.5	4
FK6	6	20	7	13	22	22	36	28	28	5	3.5	3.4	6.5	4
FK8	8	23	9	14	26	26	43	35	35	6.5	4	3.4	6.5	4
FK10	10	28	11	17	29	34	52	42	42	8	5	4.5	8	5
FK12	12	28	11	17	29.5	36	54	44	44	8	5	4.5	8	5
FK15	15	32	15	17	33	40	63	50	52	8	6	5.5	9.5	6
FK17	17	45	22	23	47	50	77	62	61	11	9	6.6	11	10
FK20	20	52	22	30	48	57	85	70	68	10	10	6.6	11	10
FK25	25	57	27	30	57	63	98	80	79	10	10	9	14	13
FK30	30	62	30	32	60	75	117	95	93	12	11	11	17.5	11