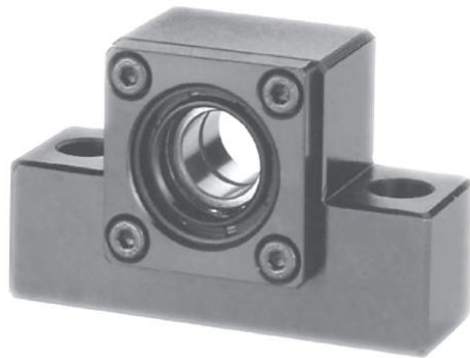


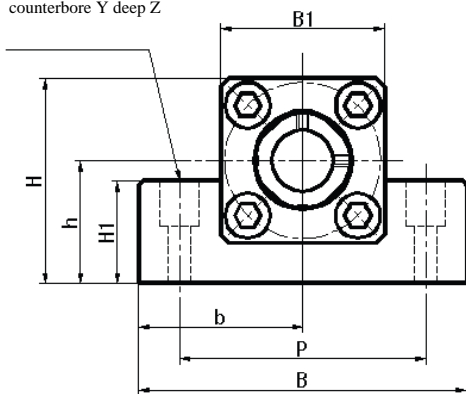
End support block

EK fixed end

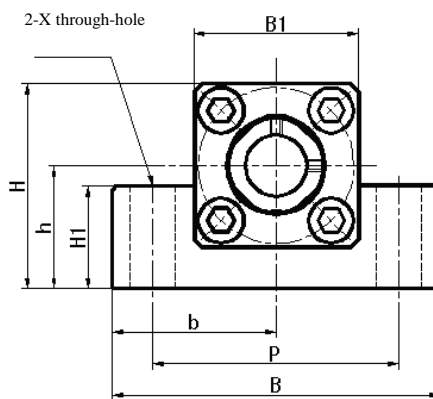


2-X through-hole

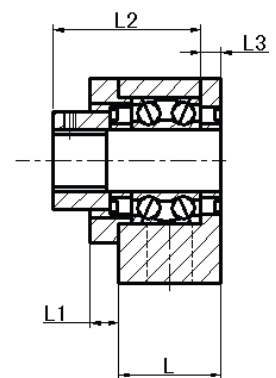
counterbore Y deep Z



EK6-8



EK10-20



Type	Size (mm)														
	d1	L	L1	L2	L3	B	H	b ± 0.02	h ± 0.02	B1	H1	P	X	Y	Z
EK6	6	20	5.5	22	3.5	42	25	21	13	18	20	30	5.5	9.5	11
EK8	8	23	7	26	4	52	32	26	17	25	26	38	6.6	11	12
EK10	10	24	6	29.5	6	70	43	35	25	36	24	52	9	-	-
EK12	12	24	6	29.5	6	70	43	35	25	36	24	52	9	-	-
EK15	15	25	6	36	5	80	49	40	30	41	25	60	11	-	-
EK20	20	42	10	50	10	95	58	47.5	30	56	25	75	11	-	-