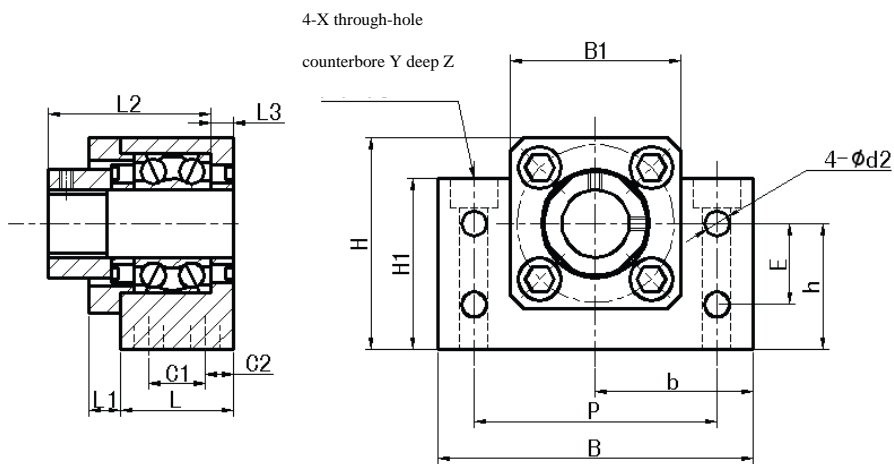
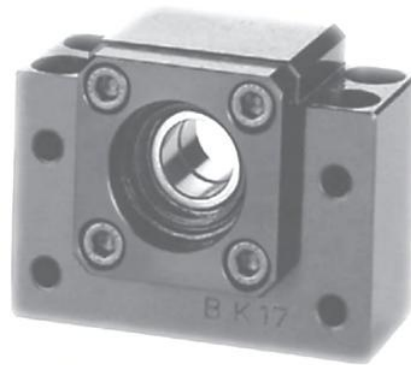


End support block

BK fixed end



Type	Size (mm)																		
	d1	L	L1	L2	L3	C1	C2	B	H	b ± 0.02	h ± 0.02	B1	H1	E	P	d2	X	Y	Z
BK10	10	25	5	29	5	13	6	60	39	30	22	34	32.5	15	46	5.5	6.6	10.8	5
BK12	12	25	5	29	5	13	6	60	43	30	25	34	32.5	18	46	5.5	6.6	10.8	6.5
BK15	15	27	6	32	6	15	6	70	48	35	28	40	38	18	54	5.5	6.6	11	6.5
BK17	17	35	9	44	7	19	8	86	64	43	39	50	55	28	68	6.6	9	14	8.5
BK20	20	35	8	43	8	19	8	88	60	44	34	52	50	22	70	6.6	9	14	8.5
BK25	25	42	12	54	9	22	10	106	80	53	48	64	70	33	85	9	11	17	11
BK30	30	45	14	61	9	23	11	128	89	64	51	76	78	33	102	11	14	20	13
BK35	35	50	14	67	12	26	12	140	96	70	52	88	79	35	114	11	14	20	13
BK40	40	61	18	76	15	33	14	160	110	80	60	100	90	37	130	14	18	26	17.5