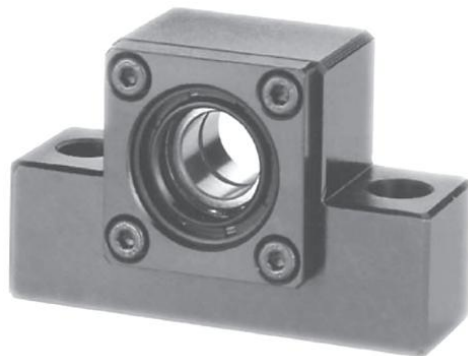
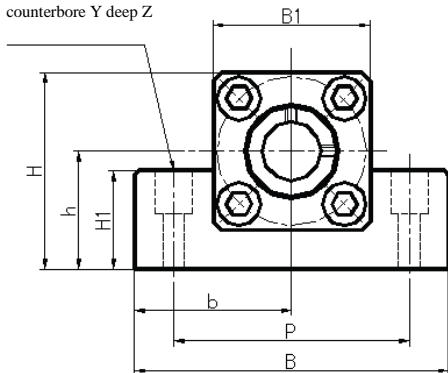


End support block

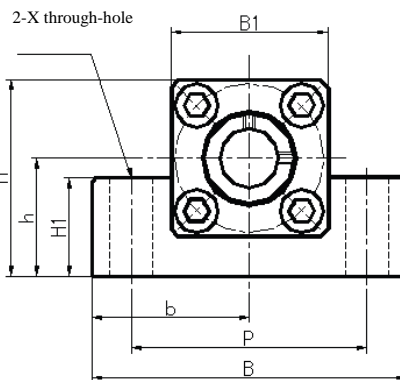
AK fixed end



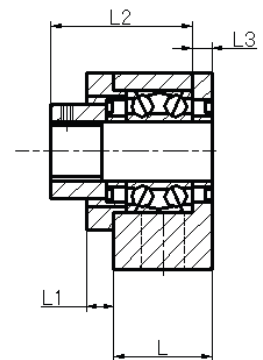
2-X through-hole
counterbore Y deep Z



AK6-8



AK10-20



Type	Size (mm)																
	d1	L	L1	L2	L3	C1	C2	B	H	$b_{\pm 0.02}$	$h_{\pm 0.02}$	B1	H1	P	X	Y	Z
AK6	6	20	5.5	22	3.5	-	-	42	25	21	13	18	20	30	5.5	9.5	7
AK8	8	23	7	26	4	-	-	52	32	26	17	25	26	38	6.0	11	12
AK10	10	24	6	29.5	6	-	-	70	43	35	25	36	24	52	8.7	14	11
AK12	12	24	6	29.5	6	-	-	70	43	35	25	36	24	52	8.7	14	11
AK15	15	25	6	36	5	-	-	80	49	40	30	41	25	60	10.7	17	15
AK20	20	42	10	50	10	22	10	95	58	47.5	30	56	25	75	10.7	17	15